




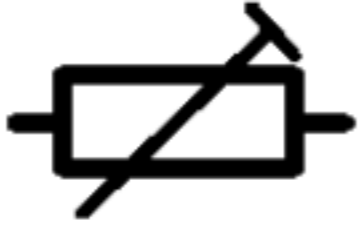



| Pos. Item Pos. | Ident-Nr. Ident-No N°d'ident | Bezeichnung | Designation Désignation |
|----------------------|------------------------------------|---|----------------------------|
| | | ZUBEHÖR | ACCESSORIES |
| | | Bedienungsanleitungen Gebrauchsanweisungen | instruction manual |
| | | V01 | |
| | 53 0940 | D | |
| | 53 0941 | F/NL | |
| | 53 0977 | GB/I | |
| | | V02 | |
| | 53 0948 | GB | |
| | 53 0949 | F/NL | |
| | 53 0978 | DK/S | |
| | 53 0989 | E/PT | |
| | | V03 | |
| | 53 0942 | D | |
| | 53 0943 | F/NL | |
| | 53 0979 | GB/I | |
| | | V04/V05 | |
| | 53 0944 | D | |
| | 53 0945 | F/NL | |
| | 53 0980 | GB/I | |
| | | V06 | |
| | 53 1097 | D/GB | |
| | 53 1098 | NL/I | |
| | | Service Manual | service manual |
| | 53 5532 | D V01/02/03/04/05/06 | |
| | 53 5533 | GB V01/02/03/04/05/06 | |
| | 53 5566 | Ergänzung V01/02/03/04/05 | supplement |
| | | Fernbedienungen | remote control |
| | 75 8709 | FB215 V02 | |
| | 75 8708 | FB216VPT V01/03/04/05/06 | |
| | 75 8767 | FB-Klappe oben | RC-flapper |
| | 75 8768 | FB-Deckel unten | RC-slide cover |

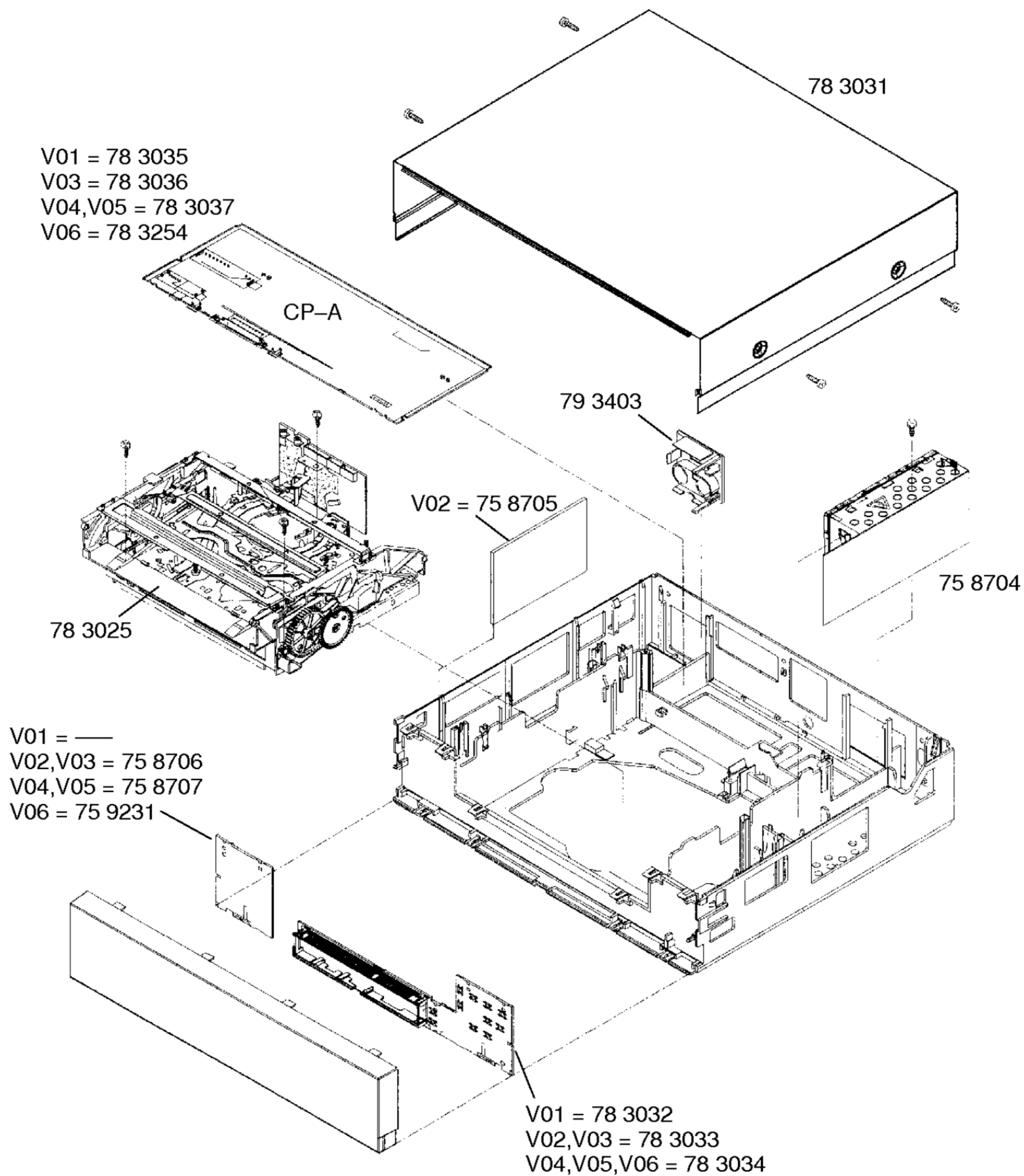
| Pos. Item Pos. | Ident-Nr. Ident-No N°d'ident | Bezeichnung | Designation Désignation |
|----------------------|------------------------------------|------------------------------------|-------------------------------|
| | 75 1529 | Netzkabel | power cord |
| | 75 6840 | Antennenkabel | RF-cord |
| | 75 2521 | Cinchkabel | cinch cable |
| | 75 8601 | Scartkabel | scart cable |
| | 79 5022 | Sync.-Edit/Lanc-Kabel 2,5/3,5 mm | syncro/lanc-cable |
| | — | Sync./New-Edit-Kabel / PA VW-K10E | sync./new-edit-cable |
| | 79 5023 | Adapter 2,5/3,5 mm | adapter 2,5/3,5 mm |
| | | Servicemittel | service tools |
| | 34 0120 | Tentelometer | tentelometer |
| | 34 0356 | Bandzug-Einstellwerkzeug | tension tool |
| | 34 0357 | Griff für Bandzug-Einstellwerkzeug | grip for tension tool |
| | 34 0114 | Drehmomentmesser | clock gauge |
| | 34 0385 | Kopfscheiben Abziehwerkzeug | head disc tool |
| | 34 0101 | Exzentrik 3mm | |
| | — | Torx-Dreher TX208X60 | Torx tool TX208X60 |
| | | Testcassetten | test tape |
| | 34 0388 | SPC-Tape | spc-tape |
| | 34 0163 | Multitape | multitape |
| | 34 0155 | Pal/ Drop Out/ FM- Ton | pal/drop out / FM - audio |
| | 34 0162 | Audio FM 1 KHz | audio 1 KHz |
| | 34 0156 | Bandzug 60 g links/300 g rechts | tension 60 g left/300 g right |
| | 34 0219 | Bandzug 800 g | tension 800 g |
| | | Chassisplatten | CP-A P.C.B. |
| 1010 | 78 3035 | V01 | |
| 1010 | 78 3288 | V02 | |
| 1010 | 78 3036 | V03 | |
| 1010 | 78 3037 | V04/V05 | |
| 1010 | 78 3254 | V06 | |
| | | Bedienteil 1/rechts | control 1 P.C.B. |
| 1011 | 78 3032 | V01 | |
| 1011 | 78 3033 | V02/V03 | |
| 1011 | 78 3034 | V04/V05/V06 | |
| 110 | 75 8713 | Display VTR | |

| Pos. Item Pos. | Ident-Nr. Ident-No N°d'ident | Bezeichnung | Designation Désignation |
|----------------------|------------------------------------|--|----------------------------|
| | |   | |
| 1045 | 79 3453 | 2H / Line Delay | |
| 1052 | 79 5183 | Löschoszillator HLK | baisosc. erase |
| 1055 | 79 5183 | Löschoszillator FE | baisosc. erase |
| 1097 | 79 3470 | CER RES CST4.19MGW | |
| 1170 | 79 4272 | SG 3962M/OFWK 6256 | |
| 5070 | 79 3464 | Netztrafo \$ | main |
| | |  | |
| 1050 | 79 3412 | 19372(1.25A) | |
| | |  | |
| 3007 | 79 4843 | 4K70 5% 0,1W \$ | |
| 3017 | 79 4843 | 4K70 5% 0,1W \$ | |
| 3029 | 79 4843 | 4K70 5% 0,1W \$ | |
| 3060 | 79 4290 | 0R00 \$ | |
| 3082 | 79 4290 | 0R00 \$ | |
| 3083 | 79 4290 | 0R00 \$ | |
| 3102 | 79 4290 | 0R00 \$ | |
| 3103 | 79 4290 | 0R00 \$ | |
| 3105 | 79 4290 | 0R00 \$ | |
| 3113 | 79 4290 | 0R00 \$ | |
| 3115 | 79 4290 | 0R00 \$ | |
| 3121 | 79 4290 | 0R00 \$ | |
| 3135 | 79 3463 | 1R8 \$ | |
| 3139 | 79 3462 | 1R2 \$ | |
| 3185 | 79 4843 | 4K70 5% 0,1W \$ | |
| 3197 | 79 4290 | 0R00 \$ | |
| 3220 | 79 4290 | 0R00 \$ | |
| 3221 | 79 4290 | 0R00 \$ | |
| 3277 | 79 4005 | 10R00 5% 0,1W \$ | |
| 3297 | 79 4843 | 4K70 5% 0,1W \$ | |
| 3314 | 79 4290 | 0R00 \$ | |
| 3368 | 79 4873 | 120R 1/10W \$ | |
| 3369 | 79 4873 | 120R 1/10W \$ | |
| 3503 | 79 4290 | 0R00 \$ | |

| Pos. Item Pos. | Ident-Nr. Ident-No N°d'ident | Bezeichnung | Designation Désignation |
|----------------------|------------------------------------|---|----------------------------|
| | |  | |
| 3514 | 79 4290 | 0R00 \$ | |
| 3516 | 79 4290 | 0R00 \$ | |
| 3518 | 79 4290 | 0R00 \$ | |
| 3519 | 79 4843 | 4K70 5% 0,1W \$ | |
| 3523 | 79 4843 | 4K70 5% 0,1W \$ | |
| 3531 | 79 4290 | 0R00 \$ | |
| 3546 | 79 4290 | 0R00 \$ | |
| 3551 | 79 4843 | 4K70 5% 0,1W \$ | |
| 3558 | 79 4290 | 0R00 \$ | |
| 3578 | 79 4290 | 0R00 \$ | |
| 3590 | 79 4290 | 0R00 \$ | |
| 3647 | 79 4290 | 0R00 \$ | |
| 3699 | 79 4290 | 0R00 \$ | |
| 3708 | 79 4843 | 4K70 5% 0,1W \$ | |
| 3748 | 79 4843 | 4K70 5% 0,1W \$ | |
| 3775 | 79 4843 | 4K70 5% 0,1W \$ | |
| 3855 | 79 4843 | 4K70 5% 0,1W \$ | |
| 4007 | 79 4843 | 4K70 5% 0,1W \$ | |
| 4011 | 79 4674 | 22K | |
| 4012 | 79 4674 | 22K | |
| 4022 | 79 4873 | 120R 1/10W \$ | |
| 4085 | 79 4843 | 4K70 5% 0,1W \$ | |
| 4090 | 79 4843 | 4K70 5% 0,1W \$ | |
| 4097 | 79 4290 | 0R00 \$ | |
| 4122 | 79 4843 | 4K70 5% 0,1W \$ | |
| 4123 | 79 4843 | 4K70 5% 0,1W \$ | |
| 4165 | 79 4843 | 4K70 5% 0,1W \$ | |
| | |  | |
| 3 | 79 3458 | 5 K/ Mic | |
| 5 | 79 3457 | 10 K/Headphone | |
| 10 | 79 3459 | 10 KX2/Rec-Level | |
| | |  | |
| 15 | 79 3471 | Jog/Shuttle | |
| 1 | 79 3472 | Jog. ON | |
| 2 | 79 3472 | Eject | |
| 3 | 79 4272 | S-Vhs | |

FM726V6-V01
 FM727N6-V02
 FM727V6-V03
 FM728P6-V04
 FM728V6-V05
 FM738V6-V06

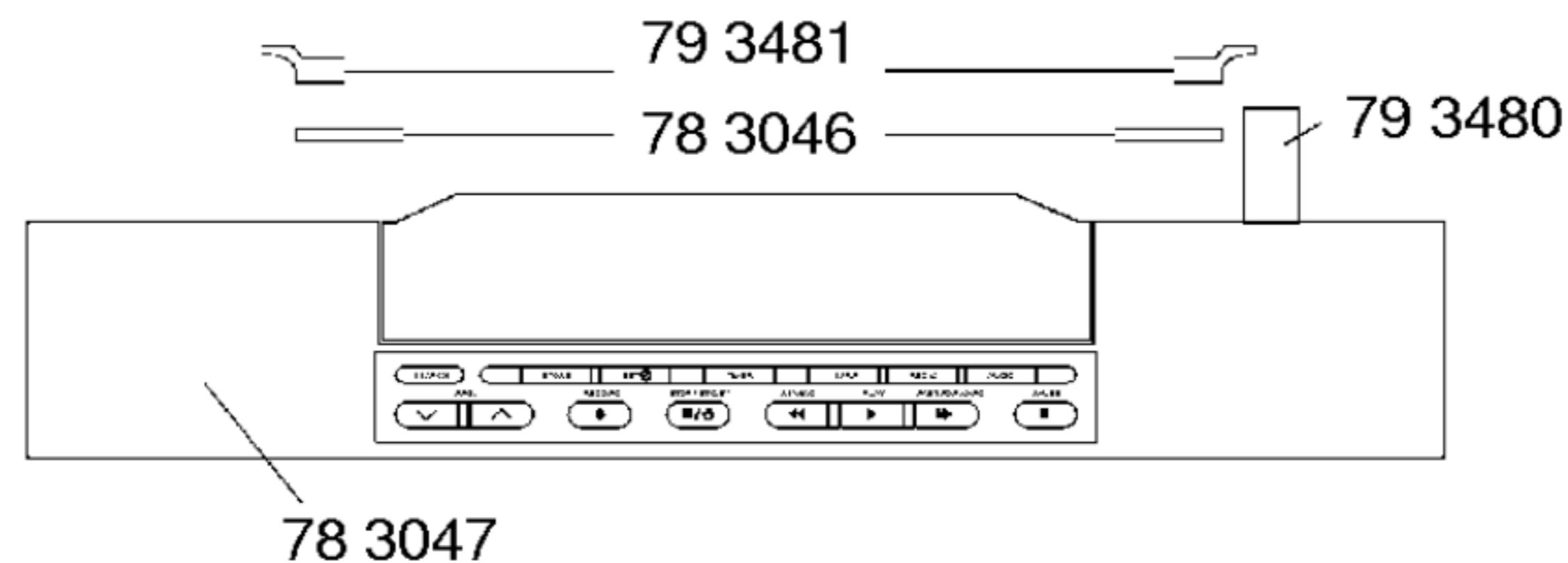
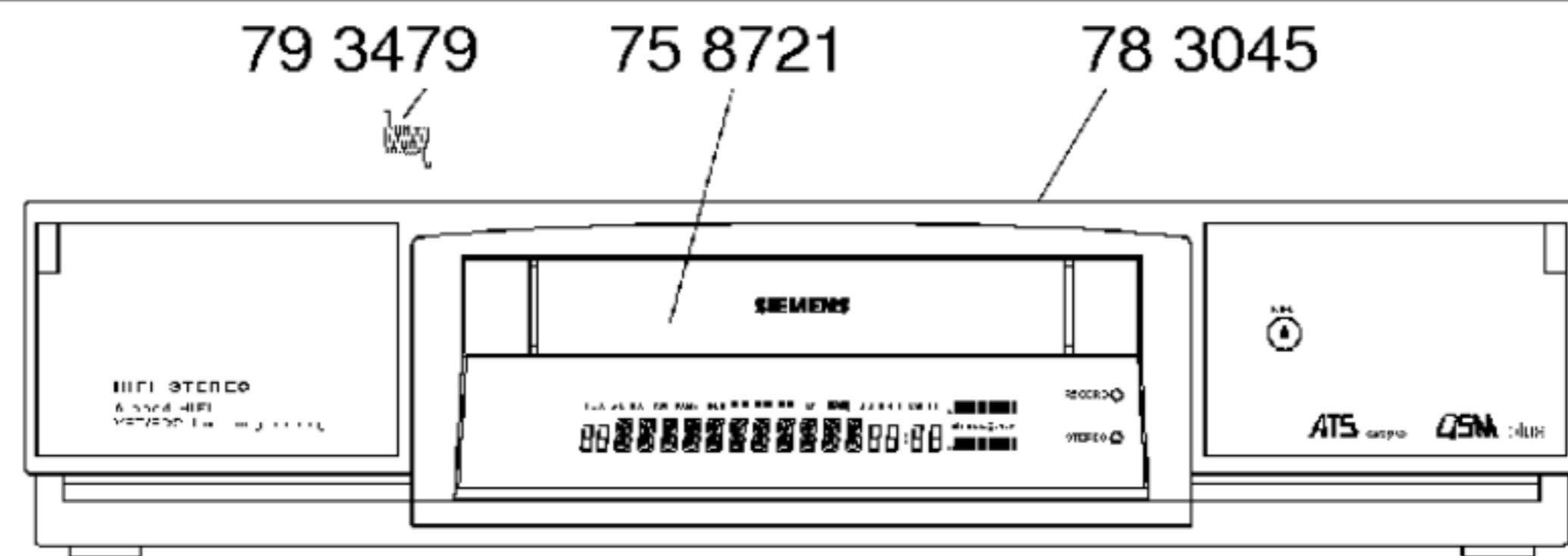
VIDEOGERÄTE
 Video-Cass-Recorder
 Video Equipments
 Video Cartridge Recorder
 Equipments Video
 Enregistreur Cass Video



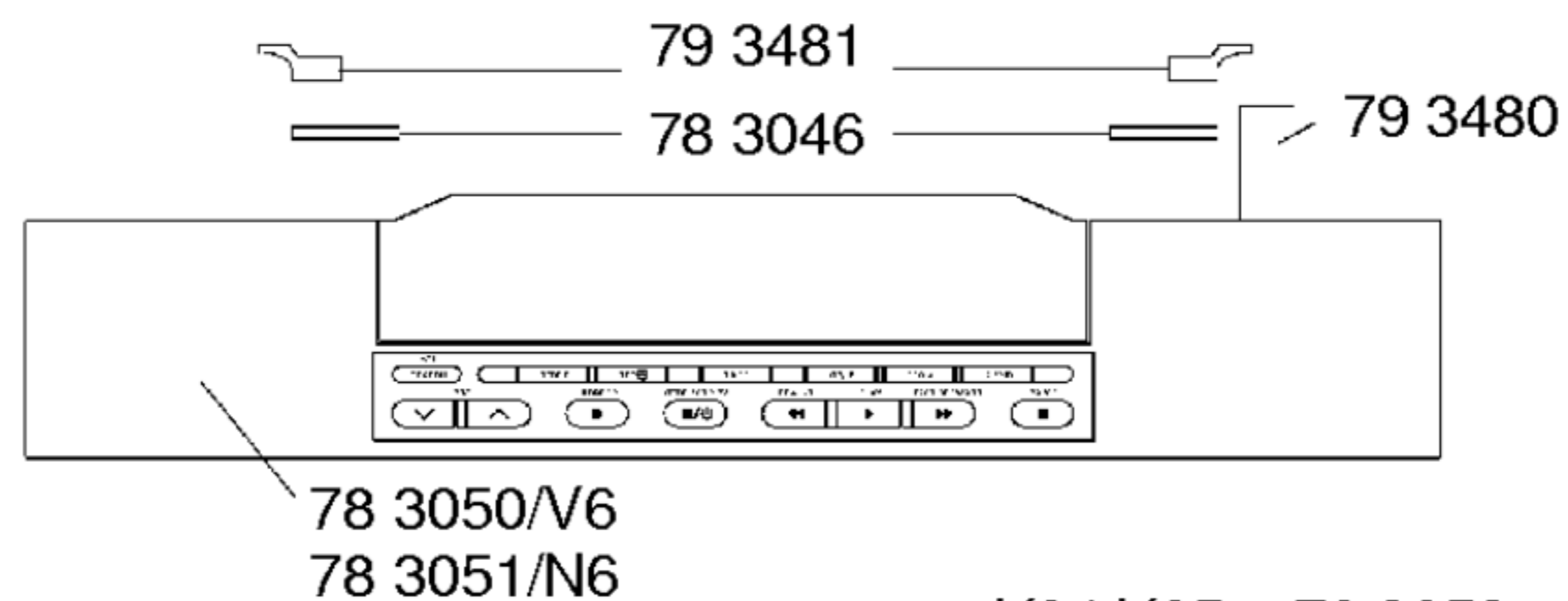
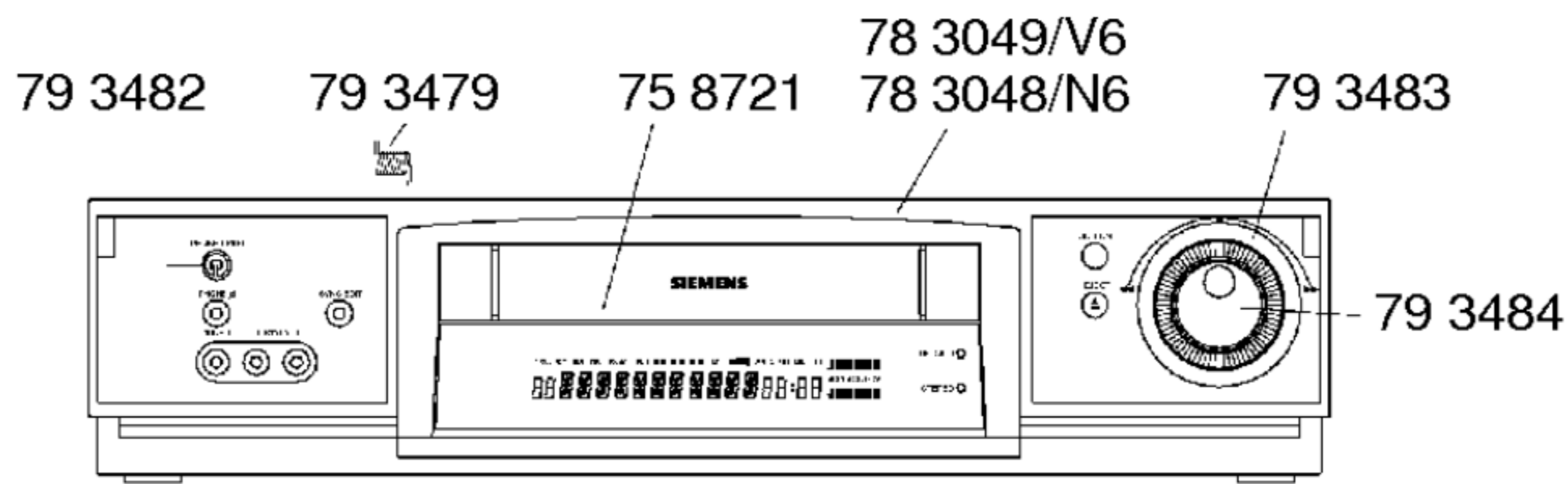
FM726V6-V01
 FM727N6-V02
 FM727V6-V03
 FM728P6-V04
 FM728V6-V05
 FM738V6-V06

VIDEOGERÄTE
 Video-Cass-Recorder
 Video Equipments
 Video Cartridge Recorder
 Equipments Video
 Enregistreur Cass Video

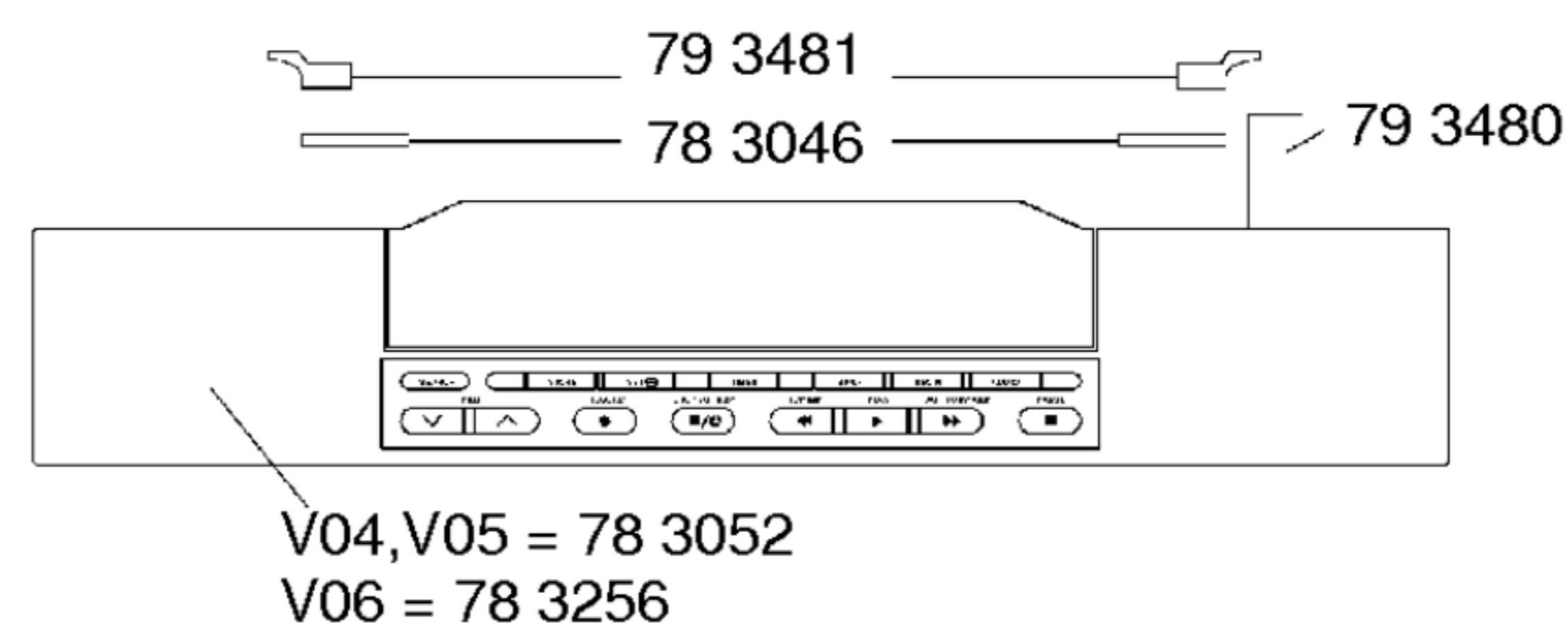
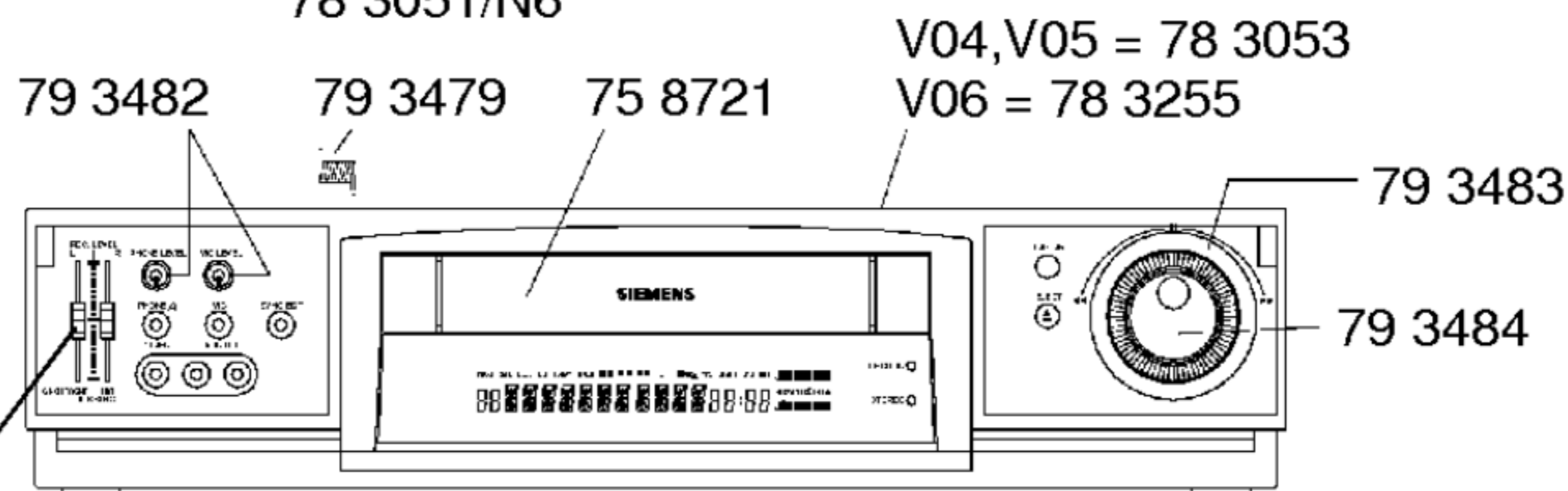
FM 726



FM 727



FM 728/738

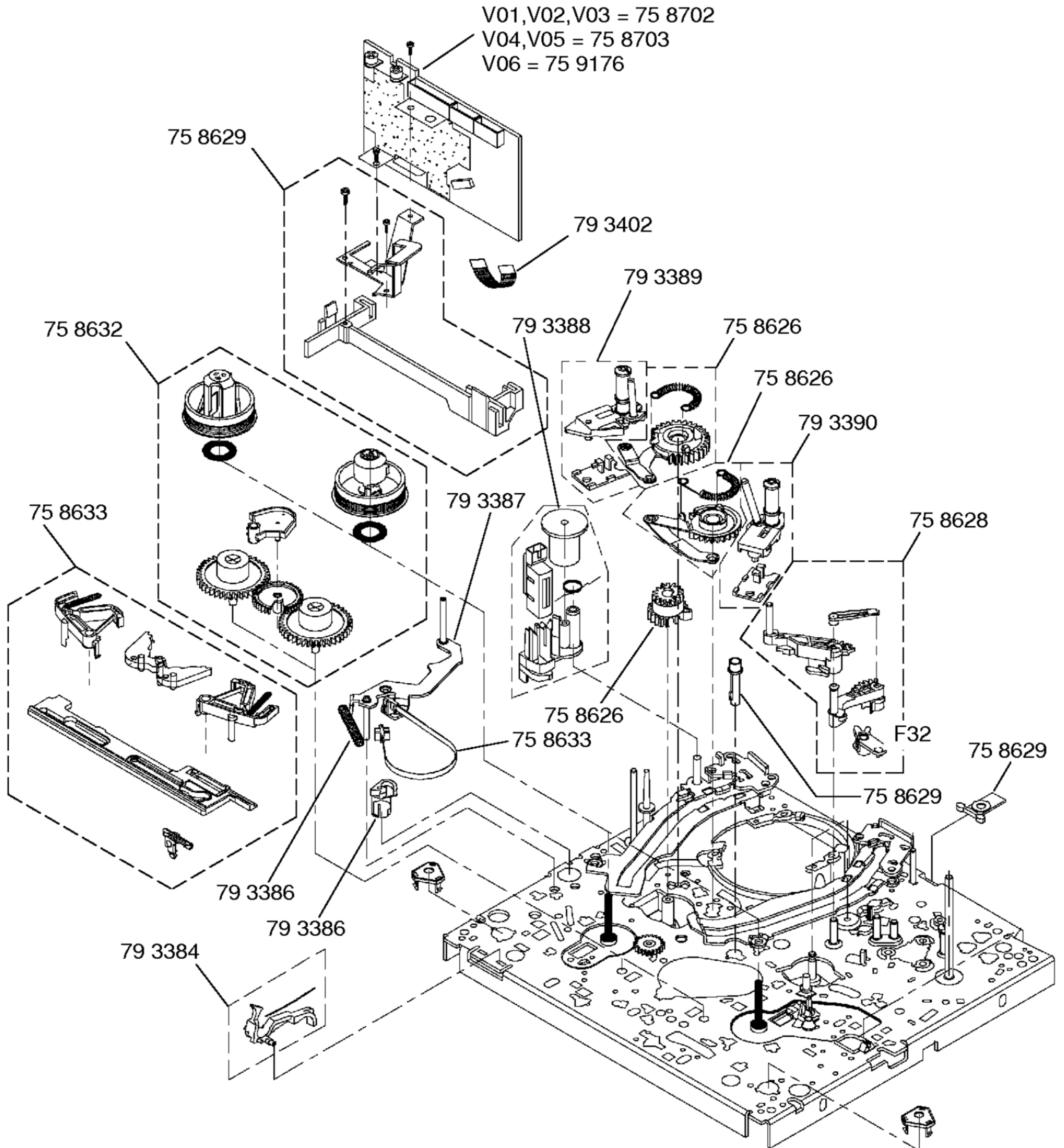


79 5637

V04,V05 = 78 3052
 V06 = 78 3256

FM726V6-V01
FM727N6-V02
FM727V6-V03
FM728P6-V04
FM728V6-V05
FM738V6-V06

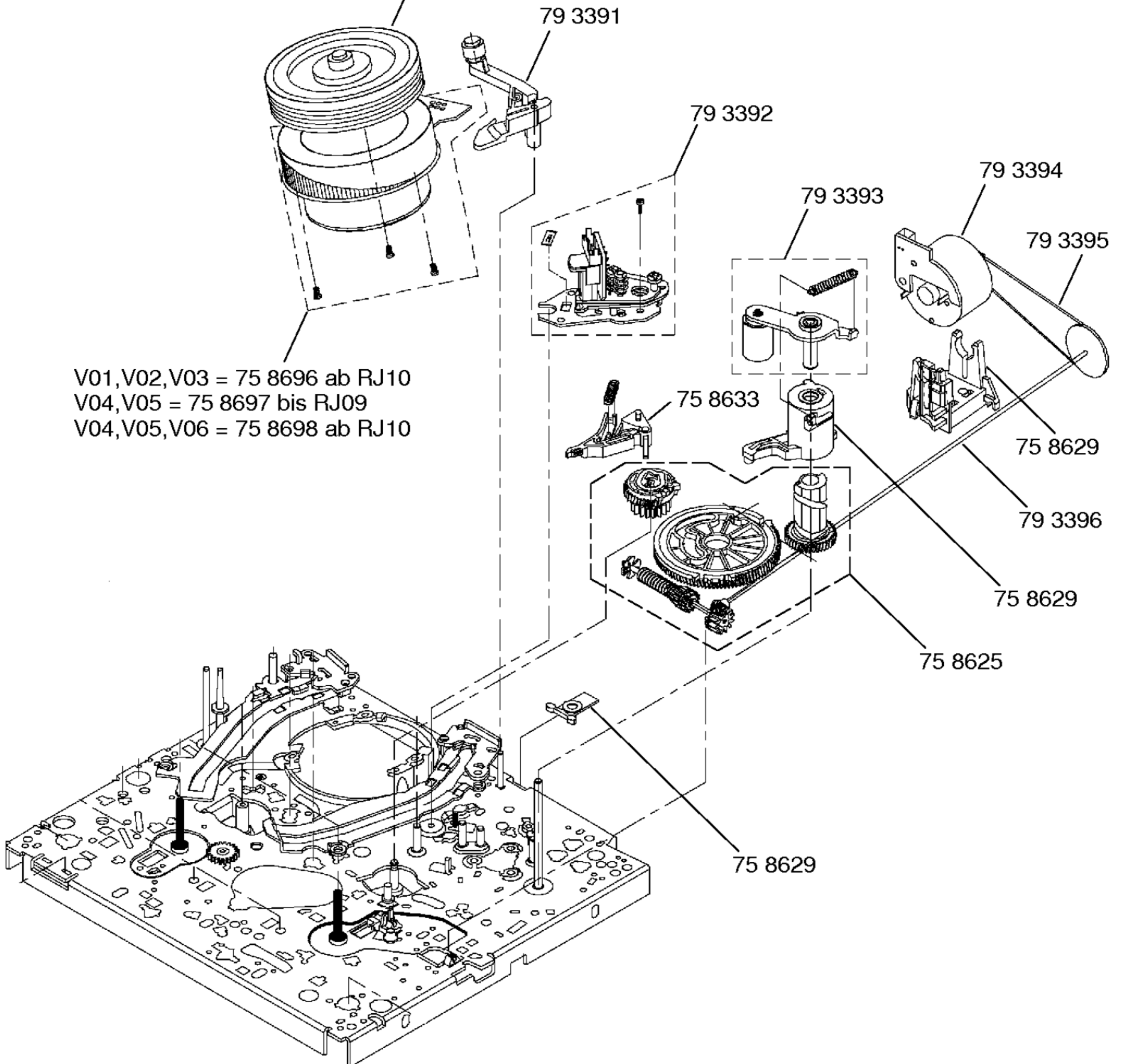
VIDEOGERÄTE
Video-Cass-Recorder
Video Equipments
Video Cartridge Recorder
Equipments Video
Enregistreur Cass Video



FM726V6-V01
 FM727N6-V02
 FM727V6-V03
 FM728P6-V04
 FM728V6-V05
 FM738V6-V06

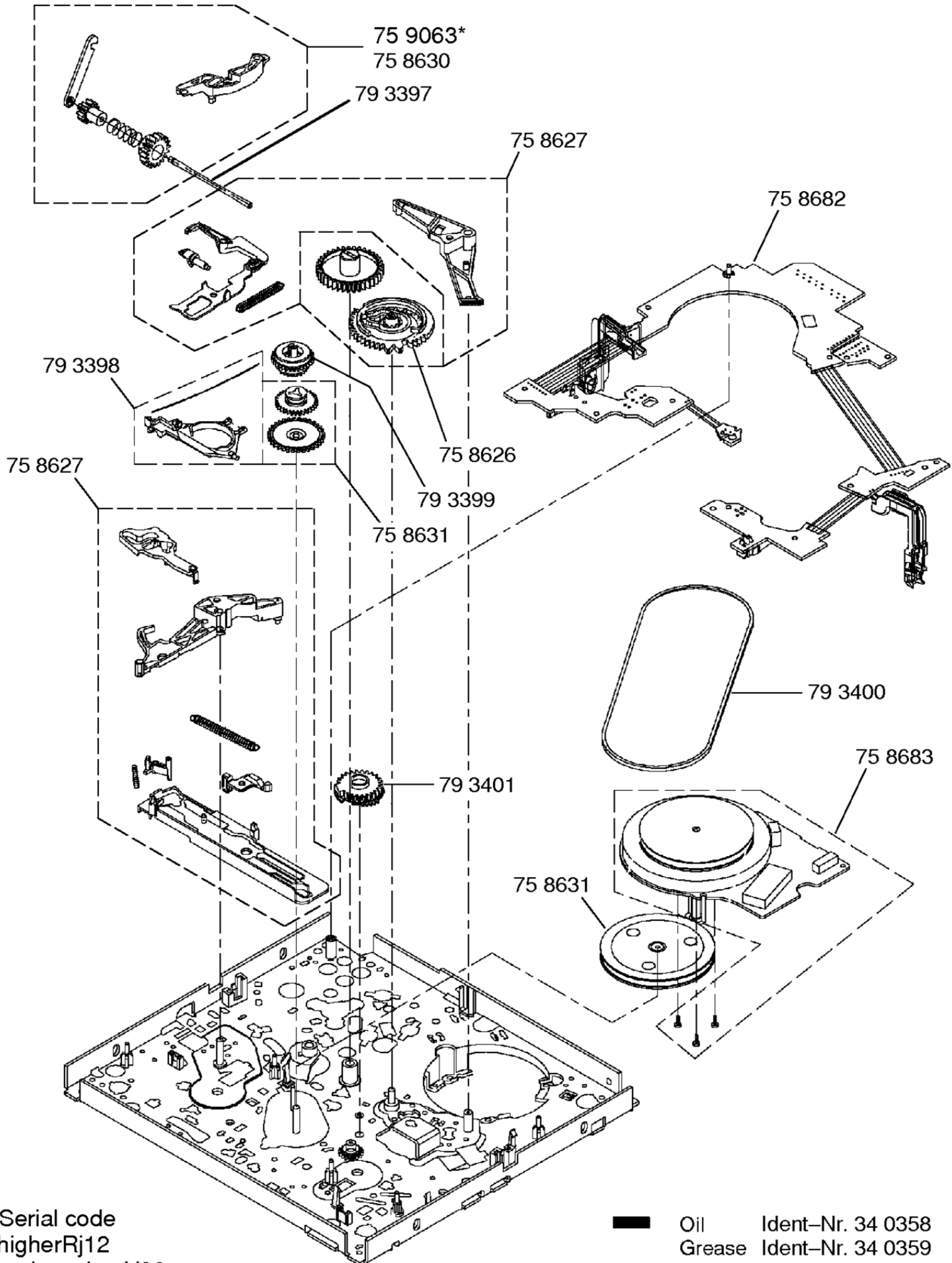
VIDEOGERÄTE
 Video-Cass-Recorder
 Video Equipments
 Video Cartrige Recorder
 Equipments Video
 Enregistreur Cass Video

V01,V02,V03 = 75 8688 ab RJ10
 V04,V05 = 75 8689 bis RJ09
 V04,V05,V06 = 75 8690 ab RJ10





FM726V6-V01
 FM727N6-V02
 FM727V6-V03
 FM728P6-V04
 FM728V6-V05
 FM738V6-V06


VIDEOGERÄTE
 Video-Cass-Recorder
 Video Equipments
 Video Cartridge Recorder
 Equipments Video
 Enregistreur Cass Video






* Serial code
 higherRj12
 and version V06



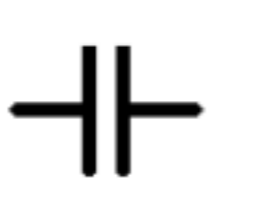
| Pos. Item Pos. | Ident-Nr. Ident-No N°d'ident | Bezeichnung | Designation Désignation |
|----------------------|------------------------------------|---|----------------------------|
| | | Bedienteil 2/links | control 2 P.C.B. |
| 1012 | 75 8706 | V02/03 | |
| 1012 | 75 8707 | V04/05 | |
| 1012 | 75 9231 | V06 | |
| | | Kopfverstärker | pre-amp P.C.B. |
| LHA | 75 8702 | 4/2 V01/V02/V03 | |
| LHA | 75 8703 | 4/2/1 V04/V05 | |
| LHA | 75 9176 | 4/2/1 V06 | |
| 1025 | 75 8705 | Nicam Decoder V02 | Nicam P.C.B. |
| 1025 | 75 9194 | Nicam Decoder FZ390 V06 | |
| 1020 | 75 8704 | Netzteil | power supply |
| 1004 | 75 8712 | Tuner | tuner |
| 1002 | 75 8711 | HF-Modulator | RF-convertor |
| 118 | 75 8682 | MC-1/Sensorprint | sensor print P.C.B. |
| | | Buchsen | Jack |
| 1901 | — | Cinch gelb | cinch yellow |
| 1903 | — | Cinch rot | cinch red |
| 1904 | — | Cinch weiß | cinch white |
| 1906 | 79 3450 | Mic /3,5 | mic |
| 1908 | 79 3447 | Headphone / 3,5 | headphone |
| 1910 | 79 3447 | Sync-Edit / 3,5 V02/V03/V04/V05 | sync-edit |
| 1910 | 79 4860 | Sync-Edit / 2,5 V06 | sync-edit |
| | | Kabelverbindung | |
| | 79 5861 | Chassispl.-AW-Kopf | flex-cable |
| | |  | |
| 6002 | 79 3410 | BZV55-C4V7 | |
| 6003 | 79 3410 | BZV55-C4V7 | |
| 6027 | 71 1945 | BAV21 | |
| 6028 | 73 4365 | RLS4148 | |
| 6029 | 73 4365 | RLS4148 | |
| 6035 | 73 4365 | RLS4148 | |

| Pos. Item Pos. | Ident-Nr. Ident-No N°d'ident | Bezeichnung | Designation Désignation |
|----------------------|------------------------------------|---|----------------------------|
| | |  | |
| 6040 | 73 5489 | BYT52M | |
| 6040 | 73 4365 | RLS4148 | |
| 6043 | 73 4365 | RLS4148 | |
| 6049 | 73 4365 | RLS4148 | |
| 6050 | 73 4365 | RLS4148 | |
| 6060 | 73 4365 | RLS4148 | |
| 6061 | 73 4365 | RLS4148 | |
| 6070 | 79 6047 | DF08S | |
| 6085 | 73 4365 | RLS4148 | |
| 6086 | 73 4365 | RLS4148 | |
| 6095 | 73 4365 | RLS4148 | |
| 6100 | 73 5489 | BYT52M | |
| 6105 | 73 5489 | BYT52M | |
| 6110 | 73 4365 | RLS4148 | |
| 6110 | 79 3411 | BZX79-C11 | |
| 6115 | 73 5489 | BYT52M | |
| 6120 | 73 5489 | BYT52M | |
| 6122 | 73 5489 | BYT52M | |
| 6127 | 79 0153 | ZPD30 | |
| 6130 | 79 3543 | ES3D | |
| 6137 | 70 9740 | 1N4001G | |
| 6137 | 73 4365 | RLS4148 | |
| 6138 | 70 9740 | 1N4001G | |
| 6139 | 70 9740 | 1N4001G | |
| 6140 | 73 4365 | RLS4148 | |
| 6155 | 79 3542 | ES3C | |
| 6180 | 79 3542 | ES3C | |
| 6204 | 73 4365 | RLS4148 | |
| 6243 | 73 4365 | RLS4148 | |
| 6262 | 73 4365 | RLS4148 | |
| 6265 | 73 4365 | RLS4148 | |
| 6397 | 79 3410 | BZV55-C4V7 | |
| 6398 | 79 3410 | BZV55-C4V7 | |
| 6400 | 79 3410 | BZV55-C4V7 | |
| 6402 | 79 3410 | BZV55-C4V7 | |
| 6404 | 79 3410 | BZV55-C4V7 | |
| 6405 | 79 3410 | BZV55-C4V7 | |
| 6596 | 79 3526 | BAS85 | |
| 6642 | 79 4291 | RLS135 | |

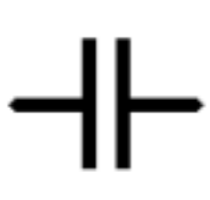
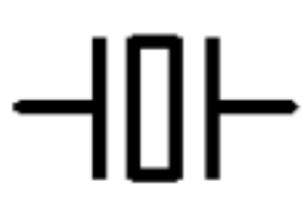
| Pos. Item Pos. | Ident-Nr. Ident-No N°d'ident | Bezeichnung | Designation Désignation |
|----------------------|------------------------------------|---|----------------------------|
| | |  | |
| 7005 | 79 2343 | TDA4605-3 | |
| 7010 | 73 5714 | 74HC373 | |
| 7010 | 79 5002 | 74HC373D SMD | |
| 7010 | 79 3417 | GP1U534X/IR Receiver | |
| 7020 | 73 8597 | HEF4094BT PHIN | |
| 7035 | 79 3428 | MC33078P | |
| 7040 | 79 3431 | SAA1210T | |
| 7050 | 79 3445 | UPD78134 | |
| 7055 | 79 3507 | M27C1001/EPROM/-V01 | |
| 7055 | 79 3508 | M27C1001/EPROM/-V02 | |
| 7055 | 79 3509 | M27C1001/EPROM/-V03 | |
| 7055 | 79 3510 | M27C1001/EPROM/-V04/V05 | |
| 7055 | 79 5001 | M27C1001/EPROM/-V06 | |
| 7058 | 79 3419 | X24C02P XIC/CAT \$ | |
| 7058 | 79 3433 | ST24C08B1 | |
| 7060 | 79 3430 | PCF8583T | |
| 7080 | 79 3455 | CNX62A/OPTO | |
| 7085 | 73 4353 | TL431CLP | |
| 7095 | 73 8597 | HEF4094BT PHIN | |
| 7100 | 73 7056 | L2722 | |
| 7100 | 79 3444 | UPD75236-GJ-021-5BG | |
| 7120 | 73 7068 | SAA4700T | |
| 7150 | 79 4887 | SAA5246A-CP | |
| 7160 | 79 3443 | UPD4364G-12L | |
| 7190 | 79 3414 | CXA1145M | |
| 7190 | 79 3439 | TDA8137 | |
| 7220 | 79 3421 | LA7282M | |
| 7259 | 73 8597 | HEF4094BT PHIN | |
| 7320 | 79 3441 | TDA9610 | |
| 7355 | 79 2742 | TEA6420 | |
| 7410 | 79 3440 | TDA8540T | |
| 7420 | 73 6417 | BA7605N | |
| 7497 | 73 9306 | HEF4053BT | |
| 7500 | 79 3425 | LM358M | |
| 7510 | 79 3423 | LA7394M | |
| 7528 | 79 3416 | HEF4011BT | |
| 7607 | 73 8597 | HEF4094BT PHIN | |
| 7625 | 79 3429 | MSM7403MS | |
| 7650 | 79 5003 | M52063SP | |

| Pos. Item Pos. | Ident-Nr. Ident-No N°d'ident | Bezeichnung | Designation Désignation |
|----------------------|------------------------------------|---|----------------------------|
| | |  | |
| 7690 | 79 3415 | CXL5508M | |
| 7705 | 73 8597 | HEF4094BT PHIN | |
| 7710 | 73 8597 | HEF4094BT PHIN | |
| 7780 | 79 3442 | TDA9840T | |
| 7790 | 79 3436 | TDA3867T | |
| 7850 | 73 8597 | HEF4094BT PHIN | |
| 7910 | 79 3434 | TDA3853T | |
| | |  | |
| 7002 | 73 3231 | BC369G \$ | |
| 7003 | 73 6906 | BC848B \$ | |
| 7005 | 73 6906 | BC848B \$ | |
| 7006 | 73 6906 | BC848B \$ | |
| 7007 | 73 6906 | BC848B \$ | |
| 7023 | 73 6906 | BC848B \$ | |
| 7025 | 73 6906 | BC848B \$ | |
| 7030 | 73 6905 | BC858B \$ | |
| 7035 | 79 3525 | IRFRC20 | |
| 7040 | 73 6906 | BC848B \$ | |
| 7045 | 73 6906 | BC848B \$ | |
| 7050 | 73 6905 | BC858B \$ | |
| 7055 | 73 6906 | BC848B \$ | |
| 7065 | 73 6905 | BC858B \$ | |
| 7067 | 73 6906 | BC848B \$ | |
| 7070 | 73 6906 | BC848B \$ | |
| 7105 | 73 6908 | BC857B \$ | |
| 7110 | 73 6906 | BC848B \$ | |
| 7110 | 79 3469 | BCV47 | |
| 7113 | 79 3468 | BCV46 | |
| 7133 | 73 6905 | BC858B | |
| 7140 | 79 3465 | 2SK1717 | |
| 7145 | 72 3060 | BC548C | |
| 7152 | 73 6906 | BC848B \$ | |
| 7164 | 73 6906 | BC848B \$ | |
| 7165 | 73 6906 | BC848B \$ | |
| 7167 | 73 6906 | BC848B \$ | |
| 7170 | 73 6906 | BC848B \$ | |

| Pos. Item Pos. | Ident-Nr. Ident-No N°d'ident | Bezeichnung | Designation Désignation |
|----------------------|------------------------------------|---|----------------------------|
| | |  | |
| 7197 | 73 6906 | BC848B \$ | |
| 7203 | 79 0854 | BC558B \$ | |
| 7204 | 73 6906 | BC848B \$ | |
| 7207 | 73 8581 | BC808-40 | |
| 7235 | 73 8581 | BC808-40 | |
| 7242 | 73 6905 | BC858B \$ | |
| 7243 | 73 6906 | BC848B \$ | |
| 7250 | 73 6904 | BC848C \$ | |
| 7262 | 73 8581 | BC818-40 | |
| 7263 | 79 3466 | BC858C | |
| 7265 | 73 8581 | BC818-40 | |
| 7335 | 79 3466 | BC858C | |
| 7336 | 73 6906 | BC848B \$ | |
| 7398 | 73 8581 | BC818-40 | |
| 7400 | 73 6905 | BC858B \$ | |
| 7401 | 73 6906 | BC848B \$ | |
| 7402 | 73 6906 | BC848B \$ | |
| 7426 | 73 6905 | BC858B | |
| 7428 | 73 6905 | BC858B \$ | |
| 7433 | 73 6905 | BC858B \$ | |
| 7457 | 73 3239 | BFS20 | |
| 7465 | 73 6906 | BC848B \$ | |
| 7498 | 73 6906 | BC848B \$ | |
| 7525 | 73 6247 | BC328-40/BC327-40 | |
| 7538 | 73 6906 | BC848B \$ | |
| 7540 | 73 6906 | BC848B \$ | |
| 7541 | 73 3239 | BFS20 | |
| 7555 | 73 6906 | BC848B \$ | |
| 7563 | 73 6906 | BC848B \$ | |
| 7564 | 73 6906 | BC848B \$ | |
| 7570 | 73 6906 | BC848B \$ | |
| 7572 | 73 6906 | BC848B \$ | |
| 7575 | 73 6905 | BC858B \$ | |
| 7590 | 73 6906 | BC848B \$ | |
| 7591 | 73 6905 | BC858B \$ | |
| 7596 | 73 6906 | BC848B \$ | |
| 7597 | 73 6905 | BC858B \$ | |
| 7610 | 73 3239 | BFS20 | |
| 7612 | 73 6906 | BC848B \$ | |
| 7613 | 73 3239 | BFS20 | |
| 7623 | 73 6905 | BC858B \$ | |
| 7633 | 73 6906 | BC848B \$ | |
| 7659 | 73 6906 | BC848B \$ | |

| Pos. Item Pos. | Ident-Nr. Ident-No N°d'ident | Bezeichnung | Designation Désignation |
|----------------------|------------------------------------|---|----------------------------|
| | |  | |
| 7672 | 73 6906 | BC848B \$ | |
| 7678 | 73 6906 | BC848B \$ | |
| 7680 | 73 6906 | BC848B \$ | |
| 7681 | 73 6906 | BC848B \$ | |
| 7683 | 73 6906 | BC848B \$ | |
| 7685 | 73 6905 | BC858B \$ | |
| 7687 | 73 6906 | BC848B \$ | |
| 7695 | 73 6906 | BC848B \$ | |
| 7698 | 73 6906 | BC848B \$ | |
| 7700 | 73 6906 | BC848B \$ | |
| 7723 | 73 6906 | BC848B \$ | |
| 7724 | 73 3231 | BC369G | |
| 7725 | 79 3467 | BC868 | |
| 7727 | 73 6904 | BC848B/C | |
| 7728 | 79 3293 | BC847B | |
| 7735 | 73 3239 | BFS20 | |
| 7777 | 73 6906 | BC848B \$ | |
| 7835 | 73 6906 | BC848B \$ | |
| 7840 | 73 6905 | BC858B \$ | |
| 7845 | 73 8581 | BC808-40 | |
| 7912 | 73 6906 | BC848B \$ | |
| 7915 | 73 6905 | BC858B \$ | |
| 7917 | 73 6905 | BC858B \$ | |
| | |  | |
| 1005 | 73 5472 | CR2032 3V LITH | |
| | |  | |
| 2003 | 79 3473 | 220UF 20% 16V \$ | |
| 2007 | 79 4842 | 4N7 | |
| 2008 | 79 4841 | 33NF10%X7R 63V \$ | |
| 2010 | 79 4841 | 33NF10%X7R 63V \$ | |
| 2011 | 79 4841 | 33NF10%X7R 63V \$ | |
| 2013 | 79 4003 | 1NF 5% X7R \$ | |
| 2025 | 79 4841 | 33NF10%X7R 63V \$ | |
| 2026 | 79 4003 | 1NF 5%X7R \$ | |
| 2028 | 79 4842 | 4,7NF10%X7R 63V \$ | |
| 2030 | 79 4003 | 1NF 5% X7R \$ | |

| Pos. Item Pos. | Ident-Nr. Ident-No N°d'ident | Bezeichnung | Designation Désignation |
|----------------------|------------------------------------|-----------------------|----------------------------|
| | | ⊥ | |
| 2037 | 79 3552 | 47UF 20% 25V \$ | |
| 2038 | 79 3552 | 47UF 20% 25V \$ | |
| 2040 | 79 4842 | 4N7 \$ | |
| 2042 | 79 4003 | 1NF 5% X7R \$ | |
| 2047 | 79 4842 | 4,7NF10% X7R 63V \$ | |
| 2048 | 79 4842 | 4,7NF10% X7R 63V \$ | |
| 2050 | 79 3474 | 100NF 20% 250V \$ | |
| 2055 | 79 4841 | 33NF 10% X7R 63V \$ | |
| 2057 | 79 3552 | 47UF 20% 25V \$ | |
| 2065 | 79 3475 | 68NF 20% 250V \$ | |
| 2068 | 79 4003 | 1NF 5% X7R \$ | |
| 2082 | 79 4842 | 4,7NF 10% X7R 63V \$ | |
| 2083 | 79 4841 | 33N \$ | |
| 2095 | 79 4841 | 33NF 10% X7R 63V \$ | |
| 2096 | 79 4003 | 1NF 5% X7R \$ | |
| 2111 | 79 4841 | 33NF10% X7R 63V \$ | |
| 2112 | 79 3473 | 220UF 20% 16V \$ | |
| 2120 | 79 3549 | 22N \$ | |
| 2122 | 79 4842 | 4,7NF 10%X7R 63V \$ | |
| 2124 | 79 4842 | 4,7NF 10%X7R 63V \$ | |
| 2126 | 79 4840 | 1NF 5%NP0 50V \$ | |
| 2138 | 79 4840 | 1NF 5%NP0 50V \$ | |
| 2203 | 79 3552 | 47UF 20% 25V \$ | |
| 2218 | 79 3552 | 47UF 20% 25V \$ | |
| 2222 | 79 4840 | 1NF 5%NP0 50V \$ | |
| 2245 | 79 3552 | 47UF 20% 25V \$ | |
| 2252 | 79 4851 | 4,7UF20% 63V \$ | |
| 2278 | 79 4842 | 4N7 5% X7R \$ | |
| 2295 | 79 3549 | 22N \$ | |
| 2298 | 79 3549 | 22N \$ | |
| 2305 | 79 3552 | 47UF20% 25V \$ | |
| 2307 | 79 3552 | 47UF20% 25V \$ | |
| 2308 | 79 3547 | 10N PM10 C0805 X7R \$ | |
| 2309 | 79 3547 | 10N PM10 C0805 X7R \$ | |
| 2316 | 79 4842 | 4N7 5% X7R \$ | |
| 2378 | 79 3552 | 47UF 20% 25V \$ | |
| 2382 | 79 3552 | 47UF 20% 25V \$ | |
| 2390 | 79 3552 | 47UF 20% 25V \$ | |
| 2394 | 79 3552 | 47UF 20% 25V \$ | |
| 2400 | 79 3552 | 47UF 20% 25V \$ | |
| 2417 | 79 4841 | 33NF10% X7R 63V \$ | |
| 2431 | 79 4837 | 100UF 20% 25V \$ | |
| 2465 | 79 3549 | 22N \$ | |

| Pos. Item Pos. | Ident-Nr. Ident-No N°d'ident | Bezeichnung | Designation Désignation |
|----------------------|------------------------------------|---|----------------------------|
| | |  | |
| 2490 | 79 4841 | 33NF10% X7R 63V \$ | |
| 2512 | 79 4841 | 33NF10% X7R 63V \$ | |
| 2513 | 79 3549 | 22N \$ | |
| 2520 | 79 4837 | 100UF 20% 25V \$ | |
| 2540 | 79 4841 | 33NF10% X7R 63V \$ | |
| 2558 | 79 4840 | 1NF 5% NP0 50V \$ | |
| 2563 | 79 4841 | 33NF10% X7R 63V \$ | |
| 2605 | 79 4851 | 4,7UF 20% 63V \$ | |
| 2625 | 79 4851 | 4,7UF 20% 63V \$ | |
| 2632 | 79 3549 | 22N \$ | |
| 2645 | 79 4840 | 1NF 5% NP0 50V \$ | |
| 2657 | 79 3552 | 47UF 20% 25V \$ | |
| 2667 | 79 4841 | 33NF 10% X7R 63V \$ | |
| 2668 | 79 3549 | 22N \$ | |
| 2672 | 79 3549 | 22N \$ | |
| 2677 | 79 4840 | 1NF 5% NP0 50V \$ | |
| 2678 | 79 4840 | 1NF 5% NP0 50V \$ | |
| 2681 | 79 4842 | 4,7NF 10% X7R 63V \$ | |
| 2687 | 79 4840 | 1NF 5%NP0 50V \$ | |
| 2690 | 79 4841 | 33NF10% X7R 63V \$ | |
| 2693 | 79 4840 | 1NF 5% NP0 50V \$ | |
| 2695 | 79 4840 | 1NF 5% NP0 50V \$ | |
| 2702 | 79 4840 | 1NF 5% NP0 50V \$ | |
| 2710 | 79 4841 | 33NF 10% X7R 63V \$ | |
| 2725 | 79 3552 | 47UF 20% 25V 4 | |
| 2737 | 79 4840 | 1NF 5% NP0 50V \$ | |
| 2813 | 79 4837 | 100UF 20% 25V \$ | |
| 2818 | 79 4837 | 100UF 20% 25V \$ | |
| 2840 | 79 3552 | 47UF 20% 25V \$ | |
| 2897 | 79 4851 | 4,7UF 20% 63V \$ | |
| | |  | |
| 1003 | 73 2454 | 32,768 KHz | |
| 1008 | 73 1712 | 12 MHz | |
| 1033 | 79 0834 | 27 MHz | |
| 1125 | 79 4195 | 4,433 MHz | |
| 1160 | 73 4307 | 10 MHz | |