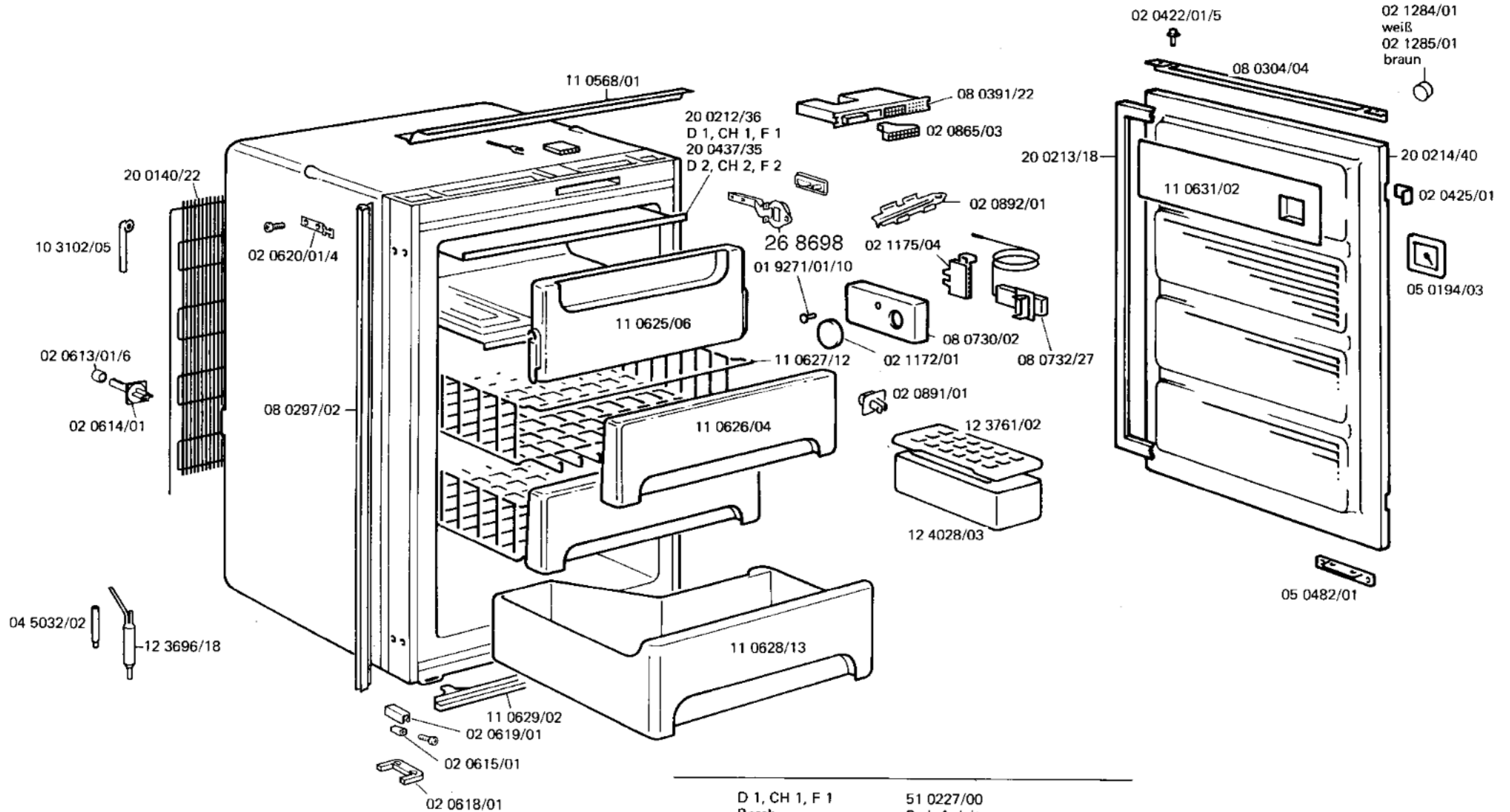


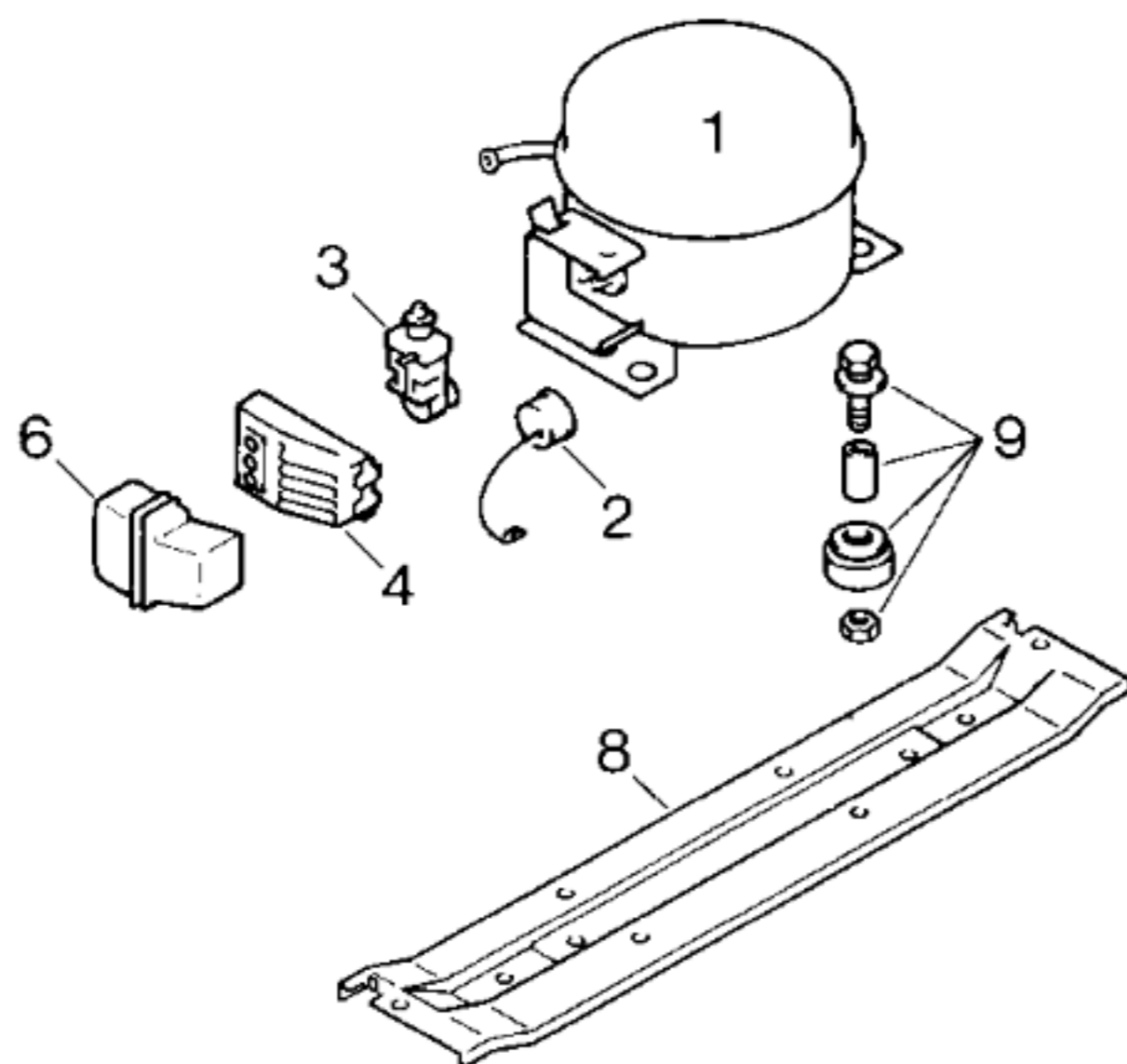
**SIEMENS**

GI 1348 -D1 FD 6012 - 6201  
 GI 134816-CH1 FD 6012 - 6201  
 GI 134858-F1 FD 6012 - 6201



D 1, CH 1, F 1  
 Bosch  
 D 2, CH 2, F 2  
 Danfoss

51 0227/00  
 Bed.-Anleitung  
 51 0384/00  
 Montage-Anleitung



| Ausführung       | Pos. |            |            |  |  |  |
|------------------|------|------------|------------|--|--|--|
|                  |      | Danfoss    | Bosch      |  |  |  |
| Verdichter       | 1    | 14 0065/45 | 13 0665/45 |  |  |  |
| Schutzschalter   | 2    | —          | 07 2131/18 |  |  |  |
| Anlaufrelais     | 3    | 02 0108/27 | 07 3899/09 |  |  |  |
| Klembrett        | 4    | —          | 04 9757/02 |  |  |  |
| Zugentlastung    | 5    | —          | —          |  |  |  |
| Kappe            | 6    | 05 1413/05 | 04 9758/02 |  |  |  |
| Klammer          | 7    | —          | —          |  |  |  |
| Tragschiene      | 8    | 11 0437/04 | 11 0437/04 |  |  |  |
| Befestigung      | 9    | 05 0166/05 | 05 0166/05 |  |  |  |
| Kondensator      | 10   | —          | —          |  |  |  |
| Verdunsterschale | 11   | —          | —          |  |  |  |
| Befestigung      | 12   | —          | —          |  |  |  |
| Winkel           | 13   | —          | —          |  |  |  |
| Kabelsatz        | 14   | —          | —          |  |  |  |

| TECHNISCHE DATEN               |                |        |  |  |  |
|--------------------------------|----------------|--------|--|--|--|
| Verdichter                     | Danfoss        | Bosch  |  |  |  |
| Typ                            | TL 5           |        |  |  |  |
| Förderleistung l/h             | V 920          | V 1040 |  |  |  |
| Anlaufstrom A                  | 9,0            | 9,5    |  |  |  |
| Widerstand $\Omega$            | Ha 15,7        | 15,0   |  |  |  |
|                                | Hi 18,8        | 29,0   |  |  |  |
| Temp.-Regler:                  | M + J          |        |  |  |  |
| Typ                            | TF 57 SF       |        |  |  |  |
| Reglerstellung                 | kalt warm      |        |  |  |  |
| Schaltwerte $^{\circ}\text{C}$ | ein: -28 -19   |        |  |  |  |
|                                | aus: -34 -26   |        |  |  |  |
|                                | alarm: -20 -15 |        |  |  |  |
| Füllmenge R 12 g               | 90             |        |  |  |  |
| Anschlußwert W                 | 120            |        |  |  |  |
| Heizung:                       |                |        |  |  |  |
| Widerstand $\Omega$            |                |        |  |  |  |
| Leistung W                     |                |        |  |  |  |
| Ventilator:                    |                |        |  |  |  |
| Widerstand $\Omega$            |                |        |  |  |  |
| Magnetventil:                  |                |        |  |  |  |
| Widerstand $\Omega$            |                |        |  |  |  |
| Spannung V                     |                |        |  |  |  |